

The VTG-32E family of sounders have been designed to cover a wide spectrum of applications. The 24 volt EN54-3 approved version is for use with conventional fire alarm systems including SAV-WIRE® two wire and as standard comes with 32 tones. The sounder is supplied with a two-stage alarm override which is activated by a third negative wire from the fire panel.

All tones have been selected to comply with the latest sound patterns and frequencies used throughout the world. All tone options are fully synchronised. The sounder function has been fully approved to EN54 Part 3 by the LPCB and VdS on tones 1, 8, 11, 25 and 27.

- Fully approved to EN54-3 by LPCB and VdS
- 32 tones plus a selectable override tone
- Shallow base IP21C and deep base IP33C versions available
- Designed to work with both conventional and two-wire (SAV-WIRE®) systems
- Unique twist and lock bayonet mounting system
- Removable cover on deep base for surface wiring
- Features base locking system as standard



TECHNICAL

| | | |
|--------------------------|---|--------------|
| Voltage range (VDC) | 21.6 - 28 | |
| Number of tones | 32 | |
| Operating frequency (Hz) | 440 - 2900 | |
| Temperature range (°C) | -20 to +70 | |
| Monitoring | Reverse Polarity | |
| Protection rating | IP21C (Shallow) | IP33C (Deep) |
| Boxed weight (kg) | 0.22 (Shallow) | 0.25 (Deep) |
| Body colours available | Red or White (ABS fire retardant plastic) | |

PERFORMANCE

| Volume setting | High | Med | Low |
|---|-------|-------|------|
| Sound output, typical (dBA) | 102.3 | 97.6 | 82.1 |
| Sound output, anechoic chamber (dBA) | 99.9 | 95.6 | 80.1 |
| Sound output, reverberation chamber (dBA) | 117.7 | 110.7 | 95.3 |
| Max. current consumption @ 24VDC (mA) | 30.8 | 16.4 | 8.3 |
| Power consumption @ 24VDC (mW) | 739 | 394 | 199 |

NB: See tone list performance for more accurate current consumption figures

ORDERING INFORMATION

| | |
|-----------------------------------|--------------|
| Red body, 32 tone, shallow base | VTG-32E-SB-R |
| Red body, 32 tone, deep base | VTG-32E-DB-R |
| White body, 32 tone, shallow base | VTG-32E-SB-W |
| White body, 32 tone, deep base | VTG-32E-DB-W |

APPROVALS INFORMATION



EN54-3:2001 546a/01

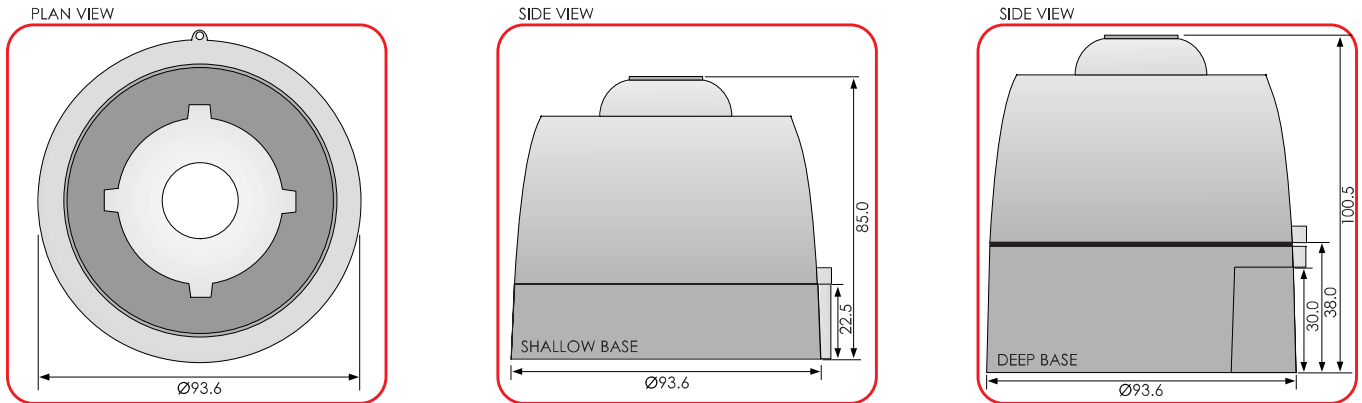


G205137

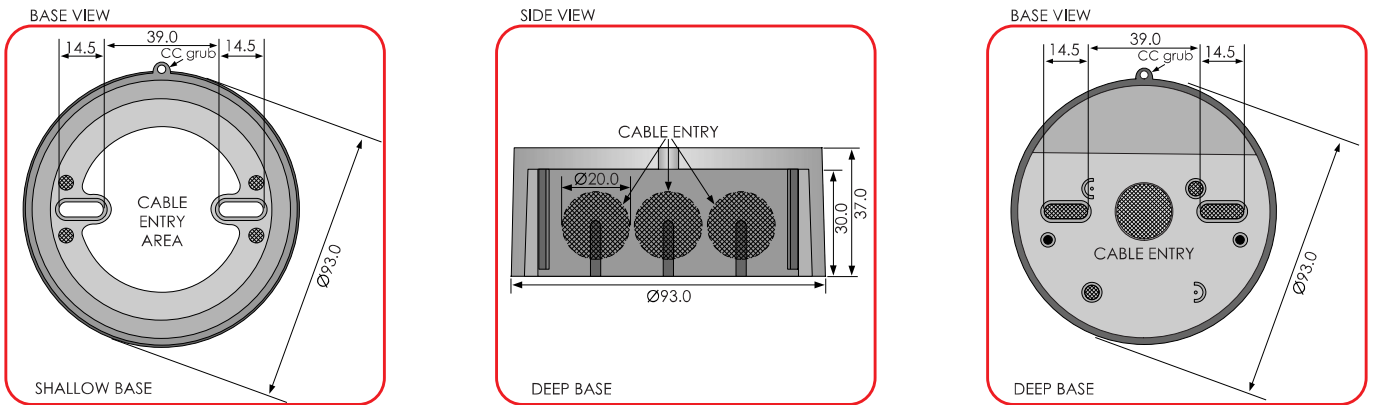

 17
 2831-CPR-F2044

DIMENSIONS

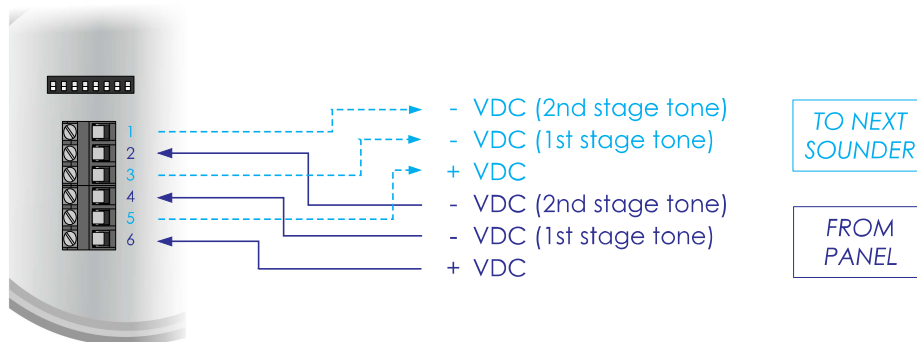
All measurements are in mm



PRODUCT MOUNTING & CABLE ENTRY



WIRING CONFIGURATION



tone & volume selection

