

# DXc Range Data Sheet

1, 2 and 4 loop, networkable, analogue addressable fire alarm control panel

The Morley-IAS DX Connexion panel is ideally suited for use in the protection of small to medium sized buildings. All in all, a compact, high performance, feature rich, economical fire alarm control panel designed to help both the installer and the end user.

The DX Connexion range of fire alarm control panels has been developed to be the most time efficient fire panel on the market to install. Simply fix the control panel to the wall, connect the field wiring, power up and with five button presses you can have a compliant and working fire alarm system. The panel's large graphical display provides a clear menu structure making the whole initial set-up process quick, clear and intuitive.

Additionally, programming the control panel couldn't be easier. Complex configuration can be achieved by using either the panel's mobile phone style key pad or by using the Windows PC programming tool supplied with the panel.

Training effort for basic commissioning only is reduced to a few hours of online trainings. However, further trainings are available by selected partners.

## BENEFITS

- Reliable and compact
- Easy and fast installation: by 5 clicks the system is able to detect and notify fire
- Quick configuration process and easy configuration tool
- Easy to find out wiring faults (diagnostics panel mode, sensor reply signal indication and device manual LED activation)

## USER INTERFACE

**Display:** 6x40 character (240x64 pixels) blue liquid crystal display with backlight illumination

**Control Keys:** Evacuate, Silence/Resound, Mute Buzzer, Extend Delay, System Reset, Show Alarm Zones

**Programming Keys:** 12 button alpha numeric key pad inc cancel and return keys plus 4 navigation keys and an OK key

**Programming Keys:** 2 independent programmable function keys and LED indicators

**Indicators:** Fire, Fault, Disablement, Test, Buzzer Muted, Delayed Mode, Sounders Silenced, Sounders Disabled and Power. Also dedicated fault LEDs for System Fault, Sounder Fault, Supply Fault and Earth Fault. 40 or 80 LED fire zone indicators optional.

## PROTOCOL DEVICES

Supports Morley IAS protocol devices.

LOOP FACTS	
Total number of devices	198
Sensors	99
MCPs, Modules & AV products	99
Loop capacity	500 mA/loop



## NETWORKING FEATURES

- Network up to 16 loops (16x DXc1 loop panels, 8x DXc2 loop panels, 4x DXc4 loop panels or any mix up to max 16 loops)
- True peer-to-peer and fault tolerant network for high system reliability

## PANEL FEATURES

- Easy 5 key-press set-up
- Large blue LCD display
- Supports Austrian, Turkish, Polish, Romanian, Hungarian, Czech, Slovakian, Slovenian, Croatian, Latvian, Lithuania and Estonia languages.
- Supports USB upload/download
- Alpha-numeric style keypad and navigation keys
- Option to upload a company logo
- Disable all relays
- Optional 40 or 80 zone alarm LEDs
- 160 zone support
- Panel buzzer 'mute' in engineering mode
- Up to 72 hour standby
- 3 min inhibit timer function
- Printer support
- Remote LED support
- Level -3 configurable passcode support
- Sounder synchronization
- Fire transmission & keysafe support
- Fire transmission LED support

## SOFTWARE FEATURES

- PC configuration software (supplied with panel)
- 160 fire zones (can be used with or without LEDs)
- 7 day timers
- Event logging
- Onboard diagnostics
- Class change function
- Coincidence and verification detection for false alarm management
- Sensitivity adjustment e.g. between day and night
- Input/output logic
- Enhanced zone support up to 160 LEDs
- Type B dependency
- Alternative zone referencing scheme
- Programming optional language support
- Event logic support
- Remote LED event logic

## HARDWARE FEATURES

- Real-time clock back-up battery (2 & 4 loop)
- 2 independent sounder circuits
- 500mA multi-protocol loop driver
- 2 x onboard monitored inputs
- Optional programmable keyswitch for selected functions
- Plug-in connectors

### Output Relays:

**Fire relay:** Single pole changeover 24V DC 1A

**Extended:** Single pole changeover 24V DC 1A

**Aux relay:** Programmable single pole changeover 24V DC 1A

### Onboard Data Ports:

1 x RS485 (Repeater connection)

1 x PC Programming Port4

### Optional Ports:

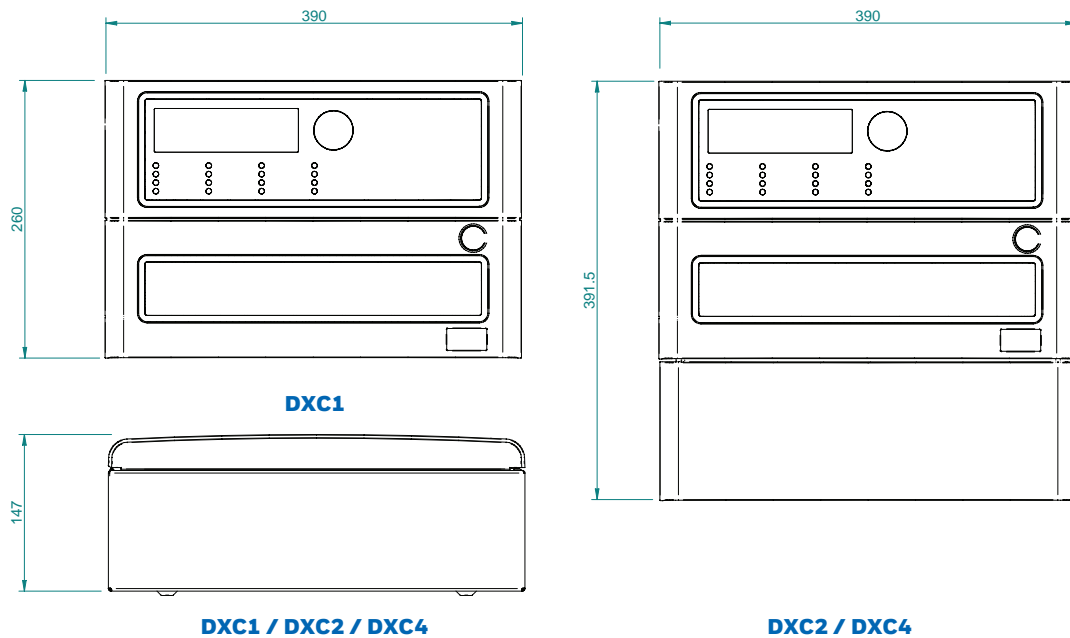
RS232 third party protocol interface

### Sounder Circuits:

2 output circuits, 1A per circuit.<sup>1</sup>

MECHANICAL	DXC1	DXC2	DXC4
DIMENSIONS [MM] (H X W X D)	260 x 390 x 147	391.5 x 390 x 147	391.5 x 390 x 147
WEIGHT (EXCLUDING BATTERIES)	4kg	4.5kg	4.5kg
COLOUR	RAL 9002 - Grey white	RAL 9002 - Grey white	RAL 9002 - Grey white
MOUNTING HOLES	3	3	3
KNOCKOUTS (20MM)	Top: 25x Bottom: 2x	Top: 25x Bottom: 4x	Top: 25x Bottom: 4x
OPERATING TEMPERATURE	0°C to +40°C	0°C to +40°C	0°C to +40°C
RELATIVE HUMIDITY	5% - 95% non-condensing	5% - 95% non-condensing	5% - 95% non-condensing
TYPE OF PROTECTION	IP30 (EN6059)	IP30 (EN6059)	IP30 (EN6059)

**MATERIAL** Mild steel sheet rear enclosure. ABS plastic front cover to BS EN60950. All displays and controls are carried on the enclosure door.



ELECTRICAL	DXC1	DXC2	DXC4
OPERATING VOLTAGE	110 / 230V AC +/-15%	110 / 230V AC +/-15%	110 / 230V AC +/-15%
PSU RATING	24V DC 2A	24V DC 4A	24V DC 4A
STAND-BY BATTERIES <sup>3</sup>	2 x 7Ah	2 x 17Ah	2 x 17Ah
STAND-BY BATTERY DURATION <sup>2</sup>	Stand alone: 24 hours	Stand alone: 72 hours	Stand alone: 48 hours
AUXILLIARY OUTPUT <sup>1</sup>	+24V DC 250mA fused	+24V DC 250mA fused	+24V DC 250mA fused

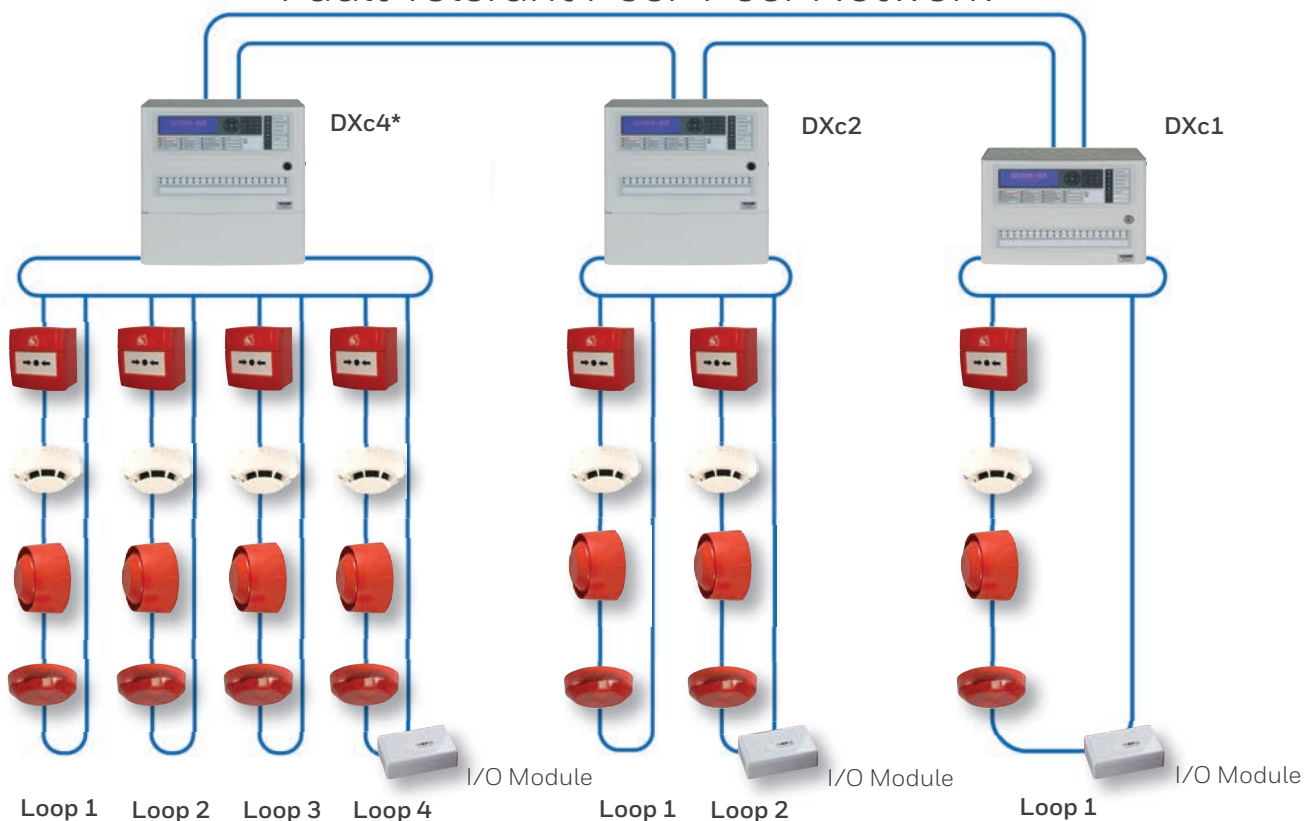
**Notes:**

1 Maximum available current will be dependent on full control panel loading.

2 Stand-by dependent on type and quantity of devices installed.

3 Not included.

## Fault Tolerant Peer-Peer Network



Images shown above with optional LED Kit

### PANELS

- 714/001/117** DXc1 One loop Fire Alarm Control Panel - Region 7
- 714/001/227** DXc2 Two loop Fire Alarm Control Panel - Region 7
- 795-097** Engineers SPK (Software Programming Kit)
- 795-099** Network card
- 795-102** 40 zone LED card kit
- 795/111** 2 loop expansion card

\*DXc4 = DXc2 + 2 loop expansion card (795/111)

Region 7 support Morley-IAS protocol.

Region 7 supports Austrian, Turkish, Polish, Romanian, Hungarian, Czech, Slovakian, Slovenian, Croatian, Latvia, Lithuania and Estonia languages.

### ACCESSORIES

- 795-118** Keyswitch kit
- 795-122** RS232 Kit (for peripherals connection)
- 795-124** 80 zone LED card kit
- 020-891** USB isolated upload/download lead
- DXC-PRN-007** External printer

### For more information

[www.hls-austria.com](http://www.hls-austria.com)

### Honeywell Life Safety Austria GmbH

Technologiestr. 5, Building F, 3rd floor  
A-1120 Vienna

T: +43 (0)1 600 60 30

F: +43 (0)1 600 60 30-900

E: [hls-austria@honeywell.com](mailto:hls-austria@honeywell.com)

Part No. AT1019.GO | 08/2016  
© 2016 Honeywell International Inc.



**Honeywell**  
MORLEY IAS  
FIRE SYSTEMS